

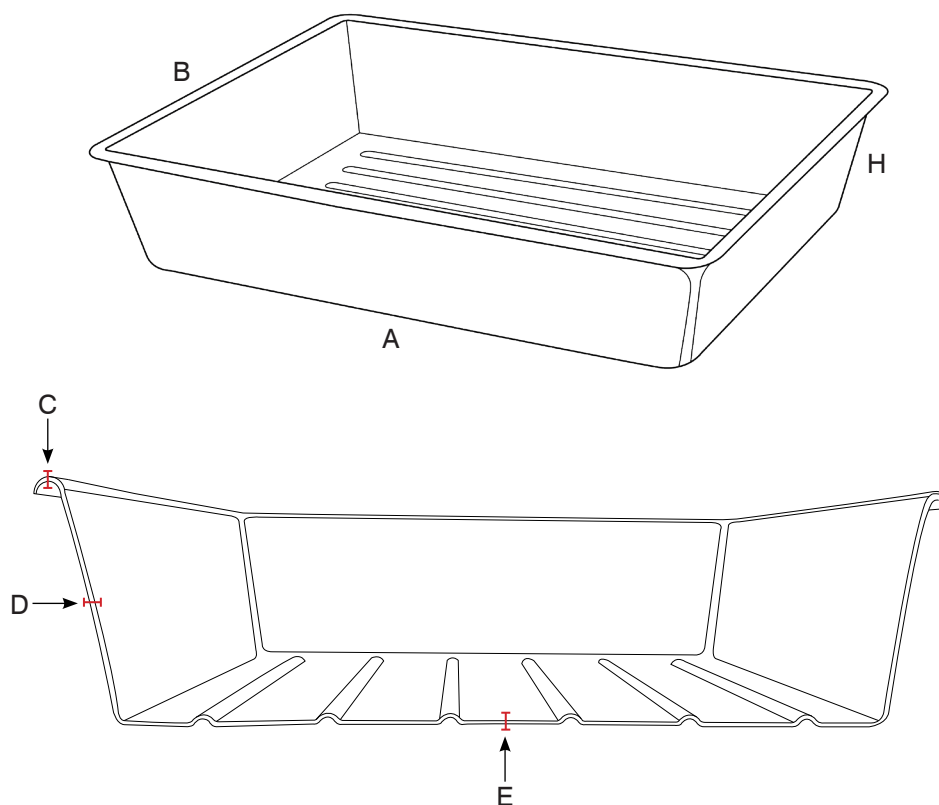


INTERBOX s.a. - Via dei Balconi, 11 - CH 6917 BARBENGO (LUGANO)

TEL. +41 (0)91 9945545 - FAX. +41 (0)91 9942260 - e-mail: info@interbox.ch - www.interbox.ch




MULTIPLE USE CONTAINERS / ORGANIZATION AND STORAGE

GAMMA



Basins made of shockproof, non-toxic material, resistant to fats and chemical agents. Useful in the conserves industry, in fish processing and in photographic laboratories.

Colours:  Food Contact White  Custom Product (for minimum lot)

Material:    Inert to acids, hydrocarbons, alkalis and solvents.
Resistant to temperatures between -10 ° and + 80 °.

Dimensions and weight

| ARTICLE | EXTERNAL SIZES mm | | | INTERNAL SIZES mm | | | THICKNESS mm | | | WEIGHT |
|---------|-------------------|-----|-----|-------------------|-----|-----|--------------|------|------|----------|
| | A | B | H | A | B | H | C | D | E | |
| GAMMA 1 | 230 | 180 | 42 | 193 | 143 | 40 | 1.55 | 1.68 | 1.84 | 0.098 Kg |
| GAMMA 2 | 310 | 250 | 65 | 255 | 195 | 60 | 1.85 | 1.88 | 2.22 | 0.225 Kg |
| GAMMA 3 | 370 | 310 | 75 | 315 | 255 | 70 | 1.91 | 2.26 | 2.40 | 0.375 Kg |
| GAMMA 4 | 520 | 420 | 120 | 430 | 330 | 115 | 2.12 | 2.19 | 2.66 | 0.76 Kg |
| GAMMA 5 | 634 | 534 | 140 | 530 | 430 | 135 | 2.48 | 3.23 | 2.10 | 1,22 Kg |
| GAMMA 6 | 848 | 648 | 160 | 730 | 530 | 155 | 3.00 | 2.75 | 2.92 | 2,125 Kg |

The sales office is at your disposal to advise the version most suited to your needs.