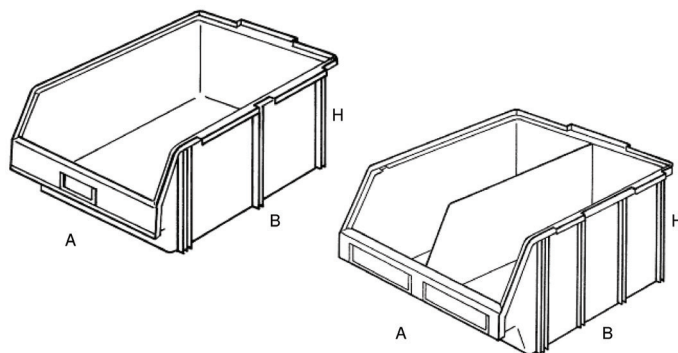




## MULTIPLE USE CONTAINERS / ORGANIZATION AND STORAGE

### ALFA and ALFA BIS SERIES



Self-supporting multiple use containers for creating storage walls. Also useful in mechanical workshops and on assembly lines. Made of shockproof resin and easily accessible through the manhole. Stackable, modular and available in an extensive range of formats. Models 5, 6 and 7 are available with a central partition (bis version) and 2 front tag holders.

**Accessories:** Tags - trolleys (for 2 bins) ALFA 5/5 bis, 6/6 bis, 7/7 bis - bar Rack (Alfa 2-3-4 models can be rear hooked to a horizontal bar)

**Colours:** Alfa 1: Food Contact Green

Alfa 2, Alfa 3, Alfa 4: Food Contact Green, Yellow, Red, Blue.

Alfa 5: Food Contact Green, Yellow, Red, Blue. Ecological Grey

Alfa 5 Bis, Alfa 6, Alfa 6 Bis, Alfa 7, Alfa 7 Bis: Food Contact Green Ecological Grey

**Material:** Inert to acids, hydrocarbons, alkalis and solvents.

#### Size and weight

ARTICLE	EXTERNAL SIZE mm			INTERNAL SIZE mm			WEIGHT
	A	B	H	A	B	H	
Alfa 1	102	88	50	90	78	42	0,037 Kg
Alfa 2	103	173	74	85	147	65	0,095 Kg
Alfa 3	144	235	116	123	203	103	0,24 Kg
Alfa 4	207	335	150	178	290	138	0,43 Kg
Alfa 5	307	480	185	275	430	170	1,18 Kg
Alfa 6	437	570	247	397	510	228	2,08 Kg
Alfa 7	437	700	301	397	640	280	2,7 Kg
Alfa 5 Bis	307	480	185	275	430	170	1,48 Kg
Alfa 6 Bis	437	570	247	397	510	228	2,43 Kg
Alfa 7 Bis	437	700	301	397	640	280	3,7 Kg

TROLLEYS: (for 2 bins)

ALFA 5 e 5 Bis	615	440	185				
ALFA 6 e 6 Bis	880	485	185				
ALFA 7 e 7 Bis	880	610	185				

The sales office is at your disposal to advise the version most suited to your needs.