

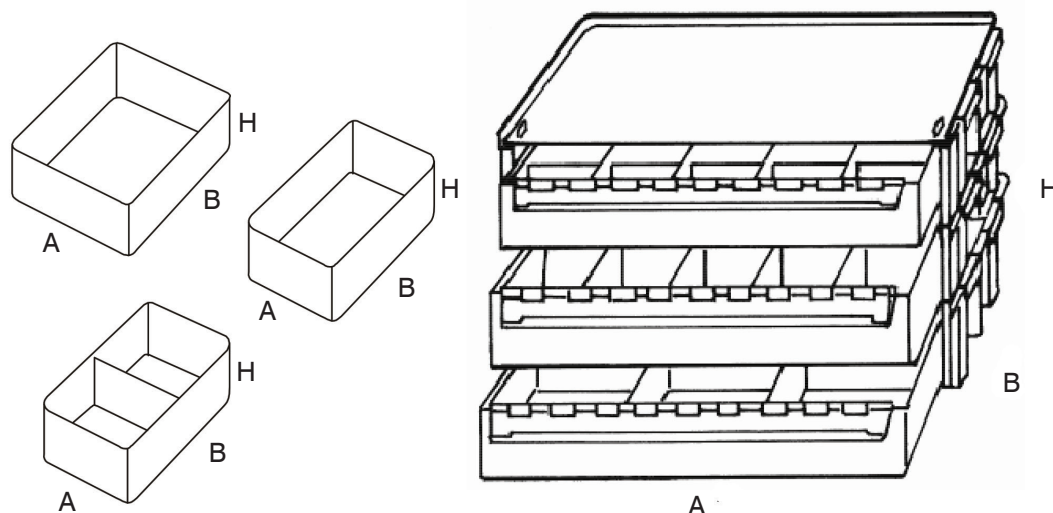


INTERBOX s.a. - Via dei Balconi, 11 - CH 6917 BARBENGO (LUGANO)

TEL. +41 (0)91 9945545 - FAX. +41 (0)91 9942260 - e-mail: info@interbox.ch - www.interbox.ch



## DRAWERS AND SHELVES / ORGANIZATION AND FILING

BETA



The basic module (casing and drawer) of this drawer unit can be used to build walls and partitions for storerooms, workshops and points of sale. Inside of drawers can be divided by the Beta bins, coming in 4 different sizes.

**Accessories:** Lids

**Colours:**  Food contact green (drawers and bins)  Food contact black (casing and lid)

### Size

ARTICLE	EXTERNAL SIZE mm		
	A	B	H
BETA B/4/6/10/20 CHEST OF DRAWERS	440	375	90
BETA 4 BIN	190	150	62
BETA 6 BIN	128	150	62
BETA 10 BIN	76	150	60
BETA 20 BIN	76	150	60
CASING	440	360	90
BETA 2 DRAWER	397	355	70
BETA B LID	425	350	3

The sales office is at your disposal to advise the version most suited to your needs.