

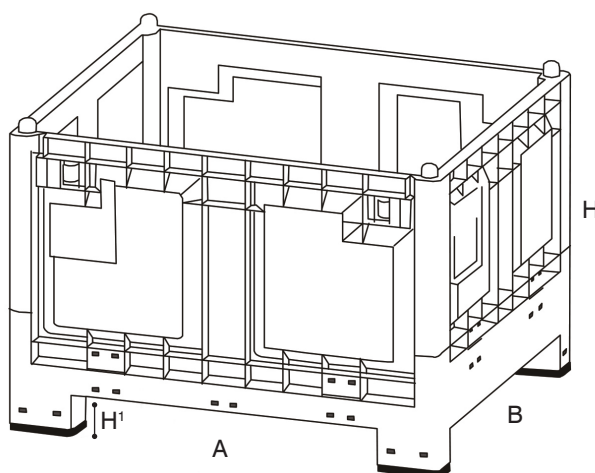
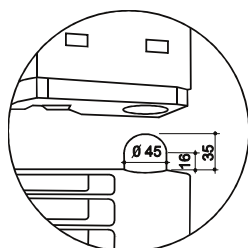


INTERBOX s.a. - Via dei Balconi, 11 - CH 6917 BARBENGO (LUGANO)

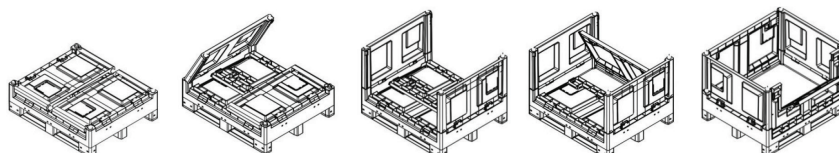
TEL. +41 (0)91 9945545 - FAX. +41 (0)91 9942260 - e-mail: info@interbox.ch - www.interbox.ch

## LARGE CONTAINERS / LOGISTICS AND HANDLING

## CARGO FOLD 700



56/IIP - IPR 936



Cargo Fold 700, the first cargopallet with collapsible walls and available on wheels, is even more flexible and ready to meet transport and storage requirements. The special white polyamide wheels, fastened to the base of the Cargo Fold, include special galvanized steel cross bars to ensure hold and stability of the load; moreover they allow use with heavy duty loads up to 600 Kg.

The new Cargo Fold 700 is completely folding. With this system, in case of transport and storage of empty containers, you shall earn 63% in volume: a stack of eight folded Cargo is the same height as three open ones. The stacking of Cargo Fold 700 is assured by 4 cylinder/spherical pins obtained directly from the mold on top of the container that fit into appropriate seats at the bottom of the legs/runners of container. The 35 mm recessed ensure maximum safety and stability of the stacking. Available in HDPE, PP or RPP, both very resilient and sturdy. No metal inserts at all, Cargo Fold is completely recyclable. Feet, hinges and locking mechanism in black colour are immediately visible, and appear very nice with the grey walls and base. The Cargo, completely dismountable, allows the replacement of eventually damaged parts. Every wall can be fitted with label holder for an immediate identification of the content and can be personalized with the company logo. Also available with folding door.

**Max loading capacity:** 650 dm<sup>3</sup>

**Max loading capacity:** 200 kg with evenly distributed load - in piling: 800 kg.

**Colours:** Food Contact Grey Ecological Grey Custom Product (for minimum lot)

**Material:** Inert to acids, hydrocarbons, alkalis and solvents.

### Size

ARTICLE	EXTERNAL SIZE mm			INTERNAL SIZE mm		
	A	B	H	A	B	H
CARGO FOLD 700 with 4 feet	1200	1000	847	1120	920	654
CARGO FOLD 700 with 4 wheels	1220	1000	854	1120	920	654
Gap between feet	830	800	120 (H')			
Forking gap with feet			120 (H')			
Wheelbase between the 2 cylinder/spherical pins	1120	920	120 (H')			
Stacking recess			35			
Dimensions of folding door	782	40	326			
Height of 8 Cargo folded			2675			
Height of 7 Cargo folded			2345			
Height of 3 Cargo open			2471			
Height of Cargo folded			365			

The sales office is at your disposal to advise the version most suited to your needs.

CARGO FOLD 700 04.02.170521 ING

The company reserves the right to alter the characteristics of its products without notice. All values expressed are nominal with a tolerance of the 1.5%± for Food Contact Grey and 3%± for Ecological Dark Grey

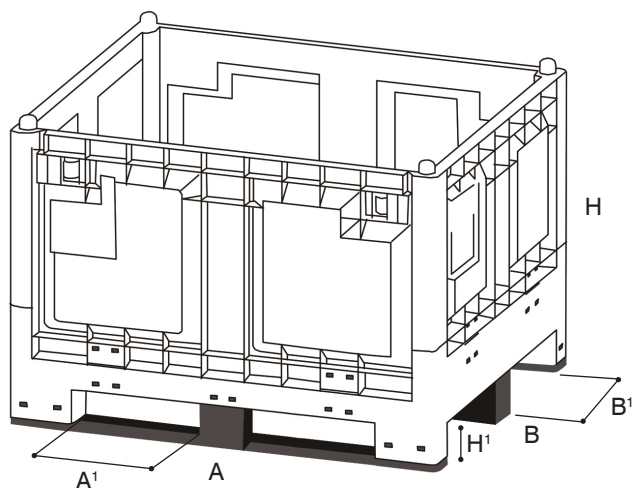
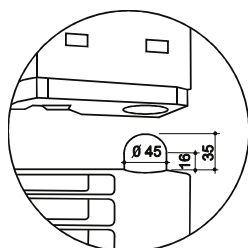


INTERBOX s.a. - Via dei Balconi, 11 - CH 6917 BARBENGO (LUGANO)

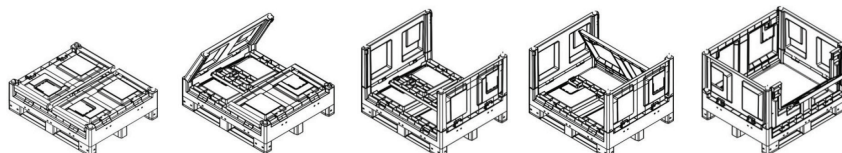
TEL. +41 (0)91 9945545 - FAX. +41 (0)91 9942260 - e-mail: info@interbox.ch - www.interbox.ch

## LARGE CONTAINERS / LOGISTICS AND HANDLING

### CARGO FOLD 700 WITH RUNNERS



56/IIP - IPPR 936



Cargo Fold 700 with runners is completely folding. With this system, in case of transport and storage of empty containers, you shall earn 63% in volume: a stack of eight folded Cargo is the same height as three open ones.

The stacking of Cargo Fold 700 is assured by 4 cylinder/spherical pins obtained directly from the mold on top of the container that fit into appropriate seats at the bottom of the legs/runners of container. The 35 mm recessed ensure maximum safety and stability of the stacking.

Available in HDPE, PP or RPP, both very resilient and sturdy. No metal inserts at all, Cargo Fold is completely recyclable. Runners, hinges and locking mechanism in black colour are immediately visible, and appear very nice with the grey walls and base. The Cargo, completely dismountable, allows the replacement of eventually damaged parts. Every wall can be fitted with label holder for an immediate identification of the content and can be personalized with the company logo. Also available with folding door.

**Max loading capacity:** 650 dm<sup>3</sup>

**Max loading capacity:** 600 kg with evenly distributed load - in piling: 2400 kg.

**Colours:** Food Contact Grey Ecological Grey Custom Product (for minimum lot)

**Material:** Inert to acids, hydrocarbons, alkalis and solvents.

#### Size

ARTICLE	EXTERNAL SIZE mm			INTERNAL SIZE mm		
	A	B	H	A	B	H
CARGO FOLD 700 with 2 or 3 runners	1200	1000	847	1120	920	654
Gap between feet - Long side with runner	350 (A')					
Gap between feet - Short side without runner		800				
Gap between feet - Short side with runner		350 (B')				
Forking gap with feet			100 (H')			
Wheelbase between the 2 cylinder/spherical pins	1120	920				
Stacking recess			35			
Dimensions of folding door	782	40	326			
Height of 8 Cargo folded			2675			
Height of 7 Cargo folded			2345			
Height of 3 Cargo open			2471			
Height of Cargo folded			365			

The sales office is at your disposal to advise the version most suited to your needs.

CARGO FOLD 700 04.02.170521 ING

The company reserves the right to alter the characteristics of its products without notice. All values expressed are nominal with a tolerance of the 1.5%± for Food Contact Grey and 3%± for Ecological Dark Grey