

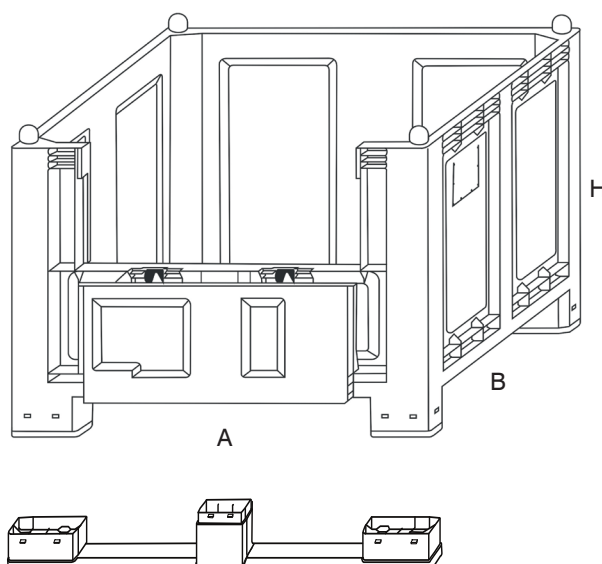
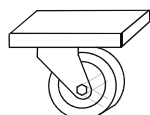
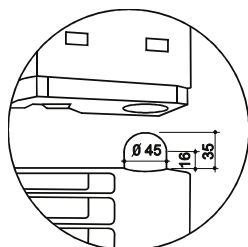


INTERBOX s.a. - Via dei Balconi, 11 - CH 6917 BARBENGO (LUGANO)

TEL. +41 (0)91 9945545 - FAX. +41 (0)91 9942260 - e-mail: info@interbox.ch - www.interbox.ch

LARGE CONTAINERS / LOGISTICS AND HANDLING

CARGOPALLET 600 PLUS NEW FOLDING DOOR



56/IIP - IPPR 936

The CARGOPALLET 600 PLUS NEW has a special folding door, which makes it easier to empty and clean it. It has the same sturdiness as the other CARGOPALLET 600 PLUS NEW. Versatile and sturdy, piles and can be shifted with a transpallet or a forklift truck with and without wheels. The pilling of the Cargopallet 600 Plus NEW with FOLDING DOOR is assured by 4 cylinder pins obtained directly from the mold on top of the container, that fit into appropriate seats formed on the bottom of the legs / runners of the container itself. The 35 mm recessed ensure maximum safety and stability in pilling.

Maximum capacity: 550 dm³

Max load capacity: 500 kg with evenly distributed load - in piling: 2000 kg, standing on the floor by feet or runners.

Versions: with 4 feet, with 2, 3 or 4 runners, with 4 black wheels or orange wheels, 2 runners and 4 wheels.

Accessories: Lids, label holder, ball valve, screw plug

Colours: Food Contact Grey Ecological Grey Custom Product (for minimum lot)

Material: inert to acids, hydrocarbons, alkalis and solvents.

Size

ARTICLE	EXTERNAL SIZE mm			INTERNAL SIZE mm		
	A	B	H	A	B	H
CARGOPALLET 600 PLUS NEW - Folding Door + 4 feet	1200	800	850	1130	725	690
CARGOPALLET 600 PLUS NEW - Folding Door + 2, 3 or 4 runners	1200	800	850	1130	725	690
CARGOPALLET 600 PLUS NEW - Folding Door + 4 central wheels	1200	800	900	1130	725	690
CARGOPALLET 600 PLUS NEW - Folding Door + 4 angular wheels	1200	800	1000	1130	725	690
CARGOPALLET 600 PLUS NEW - Folding Door + 2 runners and 4 wheels	1200	800	1000	1130	725	690
Height of feet			120			
Gap between feet	830	600				
Dimension of folding door	782	40	326			
Height freeboard						
Wheelbase between the 2 cylinder/spherical pins	1120	720				

The sales office is at your disposal to advise the version most suited to your needs.

CARGOPALLET 600 PLUS NEW FOLDING DOOR 04.02.050521

The company reserves the right to alter the characteristics of its products without notice. All values expressed are nominal with a tolerance of the 1.5%± for Food Contact Grey and 3%± for Ecological Dark Grey