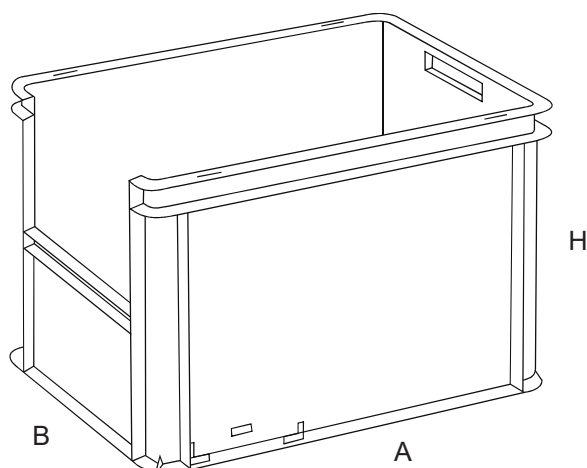




## MULTIPLE USE CONTAINERS / ORGANIZATION AND STORAGE

### DELTA MEC 70 OPEN



The 70 OPEN version of the DELTA MEC container is stackable, and therefore suitable for the automatic installations, and offers as a plus the open side to easy the picking of the goods.

The series consists of 4 versions: both the standard and the Open have non deformable solid/cellular base, full or with draining holes.

**Accessories:** lid that sits on or slides and sealable sliding, lid with integrated hinges, fastening system for lids trolley made of non-toxic material for food, card holders, separators and combs dividers.

**Colours:** Food Contact Grey Food Contact Blue Food Contact Black (lids)  
 Custom Product (for minimum lot)

**Material:** Inert to acids, hydrocarbons, alkalis and solvents.  
Available in non-toxic material for food (also in the Detectable version).

**Bottom type:** Bottom with or without drainage holes.

#### Size

ARTICLE	EXTERNAL SIZE mm			INTERNAL SIZE mm		
	A	B	H	A	B	H
DELTA MEC 70 OPEN - solid sides						
Solid/cellular base - full	600	400	400	565	360	390
Solid/cellular base - with draining holes	600	400	400	565	360	390
Wall height open			225			215
LID	600	400	21			
LID sealable sliding	604	407	19			
LID with hinges integrated	600	400	21			
TROLLEY	620	420	170			
CARD HOLDERS	150	7	85			
COMBS DIVIDERS	560x5		180			
	360x5					

The sales office is at your disposal to advise the version most suited to your needs.