

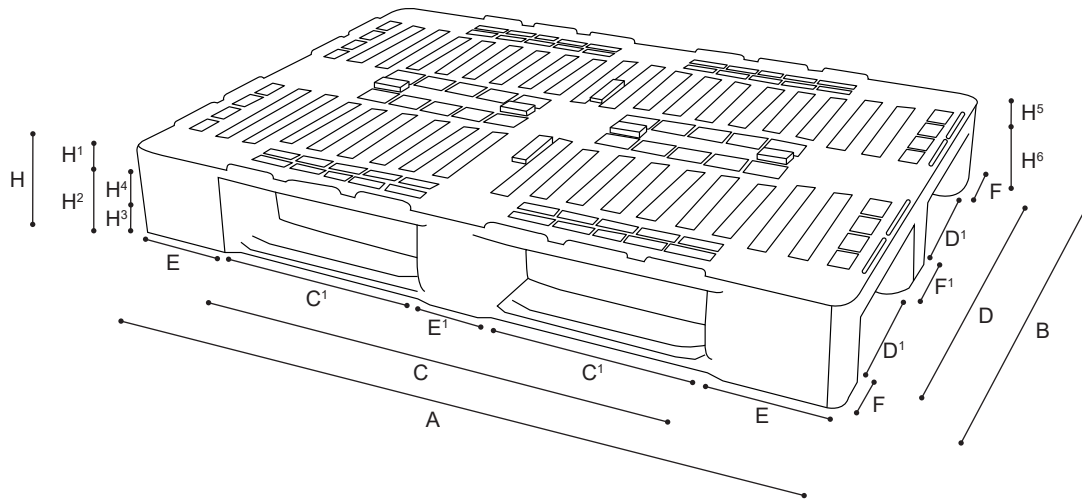


INTERBOX s.a. - Via dei Balconi, 11 - CH 6917 BARBENGO (LUGANO)

TEL. +41 (0)91 9945545 - FAX. +41 (0)91 9942260 - e-mail: info@interbox.ch - www.interbox.ch

**PALLET / LOGISTICS AND HANDLING**

**H1 PALLET 800x1200  
HEAVY PAYLOADS**



The H1 standard pallet with 7 mm high centering block system is the ideal solution for anyone looking for a sturdy and sustainable plastic pallet. The 3 runners represents the ideal solution for the transport and storage of components in the light and heavy manufacturing, for heavy payloads and stackable on racks.

- Static Capacity:** 5000 Kg (The capacity is valid for filmed charge equally distributed on the pallet surface).
- Dynamic Capacity:** 1250 Kg (The capacity is valid for filmed charge equally distributed on the pallet surface).
- Capacity on RACK:** 1000 Kg (The capacity is valid for filmed charge equally distributed on the pallet surface).
- Weight:** 18 Kg (± 2%)
- Color:** Food Contact Grey
- Material:** **HDPE** Inert to acids, hydrocarbons and solvents.

Size		EXTERNAL SIZE mm																
ARTICLE		A	B	H	H <sup>1</sup>	H <sup>2</sup>	H <sup>3</sup>	H <sup>4</sup>	H <sup>5</sup>	H <sup>6</sup>	E	C <sup>1</sup>	E <sup>1</sup>	C	F	D <sup>1</sup>	F <sup>1</sup>	D
H1 PALLET 800x1200		1200	800	160	40	120	23	97	11	100	210	315	150	780	100	225	150	600
The sales office is at your disposal to advise the version most suited to your needs.																		