

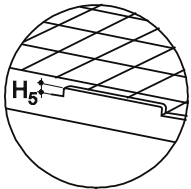
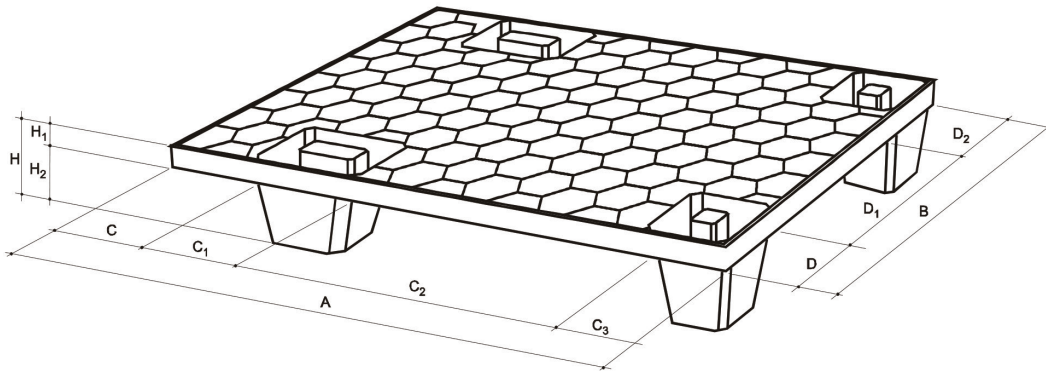


INTERBOX s.a. - Via dei Balconi, 11 - CH 6917 BARBENGO (LUGANO)

TEL. +41 (0)91 9945545 - FAX. +41 (0)91 9942260 - e-mail: info@interbox.ch - www.interbox.ch

PALLET / LOGISTICS AND HANDLING

PALLET MY-A 400x600
NESTABLES - MEDIUM PAYLOADS
ALVEOLAR GEOMETRY OF THE SURFACE



In the version with borders: H5 = 8 mm

The Pallet My-A series is now complete with the 400x600 measure, 1/4 of the standard European size. The feet are deliberately asymmetric to allow the use with forklift. Thanks to the honeycomb structure the Pallets My-A are very strong.

Static Capacity: 1000 Kg (The capacity is valid for filmed charge equally distributed on the pallet surface).

Dynamic Capacity: 400 Kg (The capacity is valid for filmed charge equally distributed on the pallet surface).

Weight: 1,55 Kg

Color: Ecological Black Custom Product (for minimum lot)

Material: RPE

Size

ARTICLE	EXTERNAL SIZE mm											
	A	B	H	H ¹	H ²	C	C ¹	C ²	C ³	D	D ¹	D ²
PALLET MY-A 400x600	600	400	125	25	100	90	120	280	110	110	180	110

The sales office is at your disposal to advise the version most suited to your needs.

Logistics Data

20' DV	40' DV	40' HC	45' WB
3300 pz.	7500 pz.	7500 pz.	9900 pz.

NOT SUITABLE FOR RACK