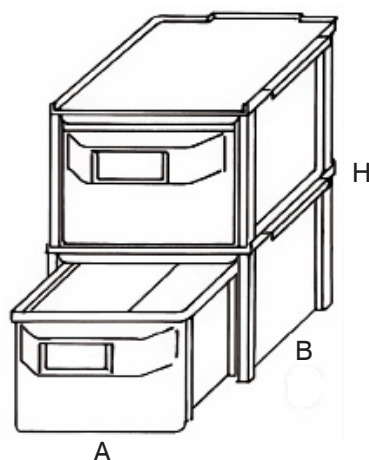




DRAWERS AND SHELVES / ORGANIZATION AND FILING

RHO KAPPA



This lightweight self-supporting drawer unit is designed on the build-it-yourself principle for creating storeroom walls of any size. The drawers can be removed completely and stacked and are also available in a version resistant to oils, fats and solvents.

Accessories: Tags, lids.

Colours:

- TV Drawer Food contact trasparente (drawer) Food contact green (casing and lid)
- TN Drawer Food contact trasparente (drawer) Food contact black (casing)
- Food contact green (lid)
- VN Drawer Food contact green (drawer and lid) Food contact black (casing)

Material:

- Green drawer **PP** inert to acids and solvents.
- Trasparent drawer **GPPS**

Size

ARTICLE	EXTERNAL SIZE mm			INTERNAL SIZE mm		
	A	B	H	A	B	H
RHO KAPPA 3 TV - TN - VN - CASING	150	215	120	125	170	100
DRAWER	120	225	100	102	185	95
LID	140	190	3			
RHO KAPPA 4 TV - TN - VN - CASING	215	310	155	180	270	140
DRAWER	180	325	132	155	270	120
LID	200	275	3			
RHO KAPPA 5 TV - TN - VN - CASING	320	450	190	285	400	170
DRAWER	285	470	165	255	400	160
LID	300	405	3			
K 3 CHEST OF DRAWERS - TV - TN - VN	155	250	120			
K 4 CHEST OF DRAWERS - TV - TN - VN	215	350	155			
K 5 CHEST OF DRAWERS - TV - TN - VN	320	480	190			

The sales office is at your disposal to advise the version most suited to your needs.