



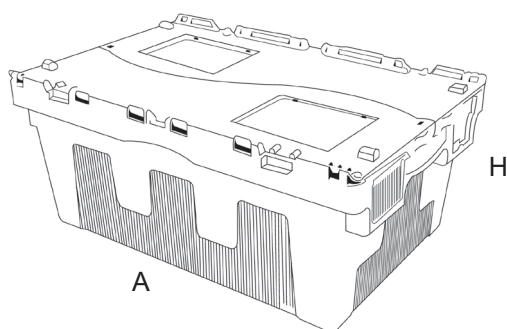
INTERBOX s.a. - Via dei Balconi, 11 - CH 6917 BARBENGO (LUGANO)

TEL. +41 (0)91 9945545 - FAX. +41 (0)91 9942260 - e-mail: info@interbox.ch - www.interbox.ch

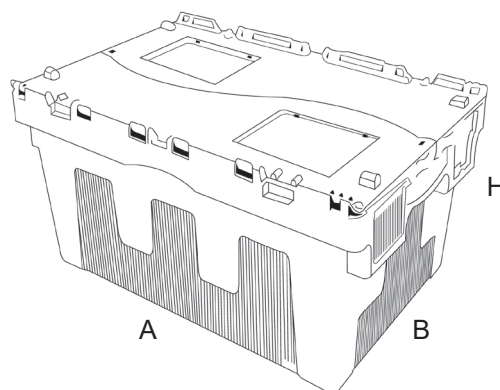
MULTIPLE USE CONTAINERS / ORGANIZATION AND STORAGE

TAUXI

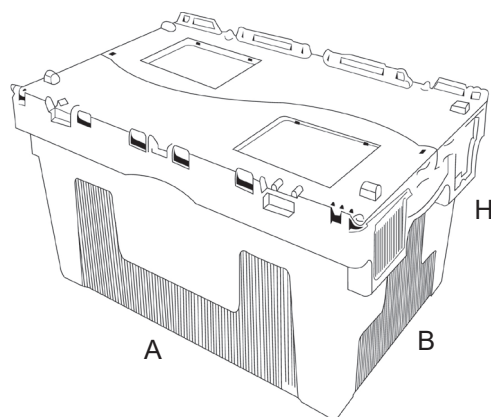
TAUXI 46



TAUXI 54





TAUXI 67



TAUXI containers are ideal for retail chains. They are equipped with a “crocodile” lid and are available in three different sizes. They are nestable with the open lid and stackable with the closed lid.

Max loading capacity: 25 kg; maximum charge in piling: 150 kg.

Colours:  Food Contact Grey  Custom Product (for minimum lot)

Material:   PP Inert to acids, hydrocarbons, alkalis and solvents.

Size and weight

ARTICLE	EXTERNAL SIZE mm			INTERNAL SIZE mm			WEIGHT
	A	B	H	A	B	H	
TAUXI 46	600	400	265	547	365	237	2,95 Kg
TAUXI 54	600	400	315	547	365	287	3,3 Kg
TAUXI 67	600	400	365	547	365	337	3,6 Kg

The sales office is at your disposal to advise the version most suited to your needs.