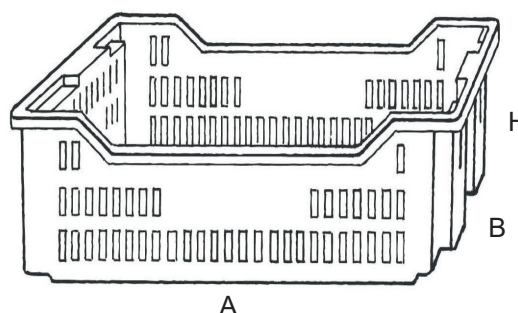
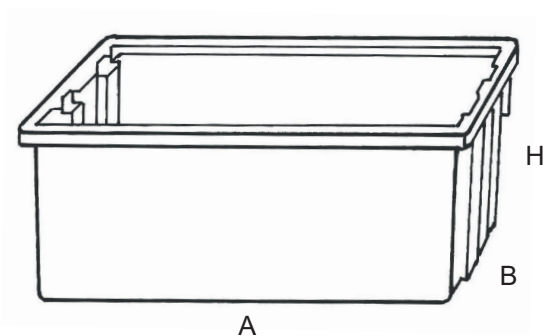




MULTIPLE USE CONTAINERS / ORGANIZATION AND STORAGE

TAU



56/IIP-IPPR 1735

The container TAU can be piled and stacked up to 80% of their volume, making them take up less space when empty. Fitted with lids, they are perfect for newspapers and magazines and for pharmaceutical products.

The container TAU 50, which has "euro measures", allows you to optimize the load is on pallets from 800x1200 and 1000x1200 mm. The 30 model is perforated.

Accessories: Lids for TAU 27, TAU 40 and TAU 50.

Colours: Food Contact Grey Custom Product (for minimum lot)

Material: Inert to acids, hydrocarbons, alkalis and solvents.

Size and weight

| ARTICLE | EXTERNAL SIZE mm | | | INTERNAL SIZE mm | | | WEIGHT |
|-------------------------|------------------|-----|-----|------------------|---------|-----|---------|
| | A | B | H | A | B | H | |
| TAU 27 | 460 | 345 | 245 | 370/390 | 285/300 | 240 | 1,17 Kg |
| TAU 40 | 550 | 380 | 250 | 435/475 | 320/345 | 245 | 1,52 Kg |
| TAU 50 | 600 | 400 | 300 | 500/535 | 330/360 | 297 | 2,05 Kg |
| TAU 70 | 715 | 440 | 280 | 600/620 | 340/365 | 275 | 2,23 Kg |
| TAU 30 perforated sides | 580 | 395 | 175 | 495 | 370 | 165 | 1,15 kg |
| TAU 27 LID | 465 | 350 | 18 | | | | |
| TAU 40 LID | 560 | 390 | 30 | | | | |
| TAU 50 LID | 610 | 410 | 27 | | | | |

The sales office is at your disposal to advise the version most suited to your needs.